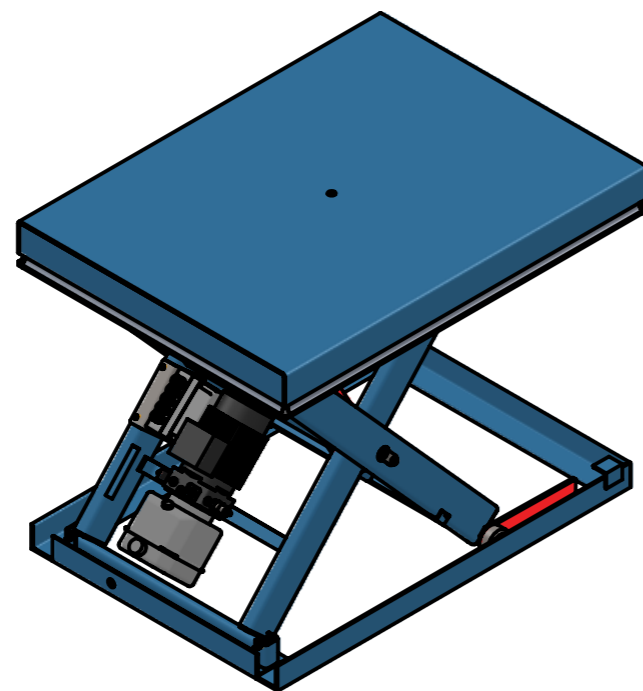
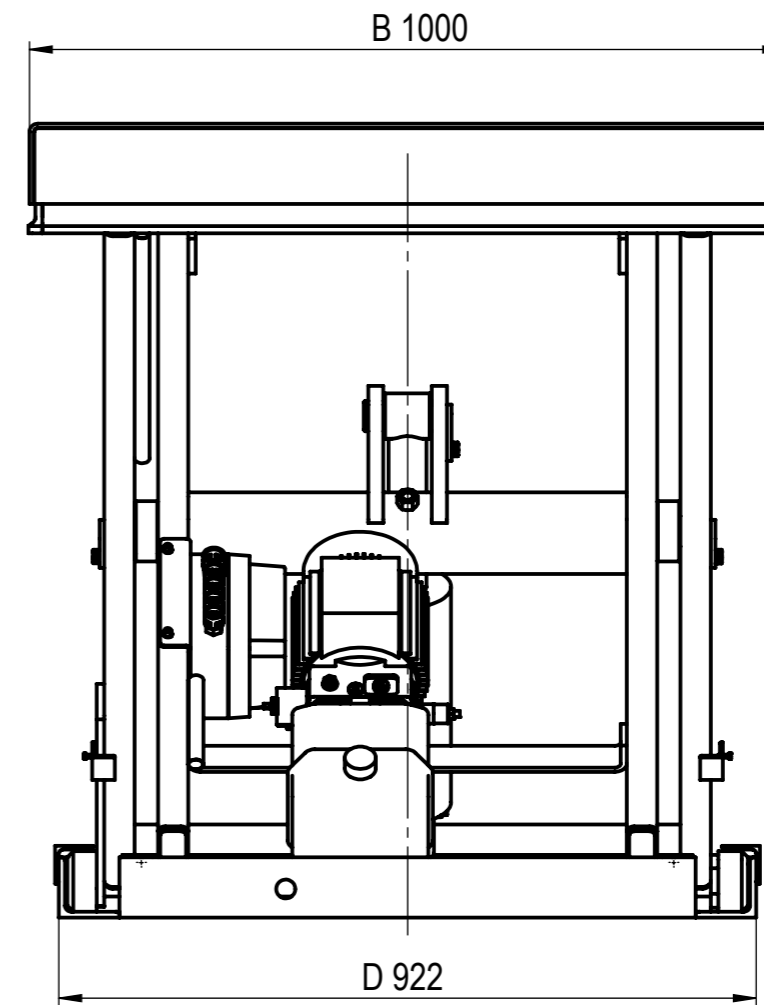
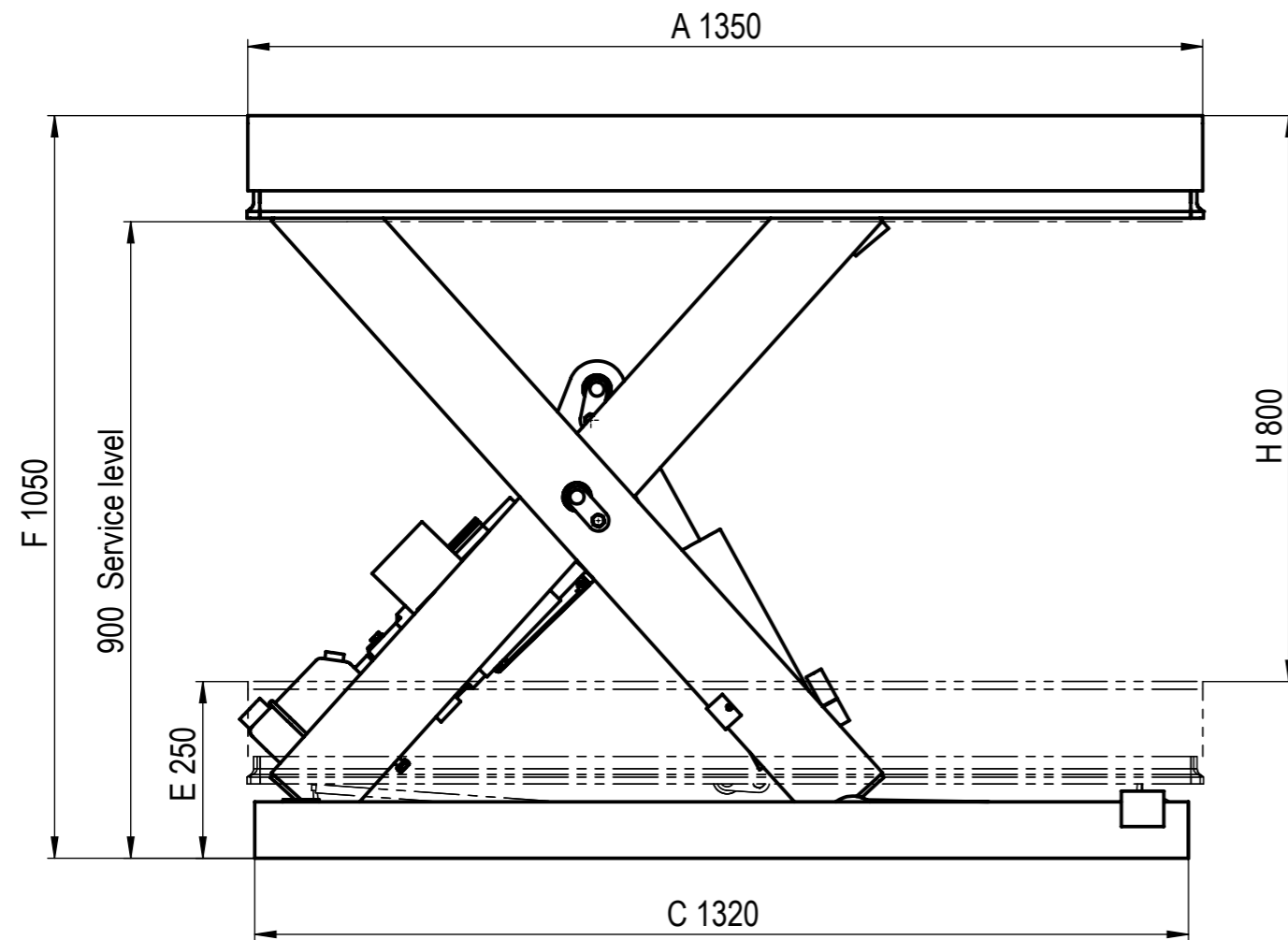


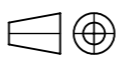


HTP ERGONOMIZER

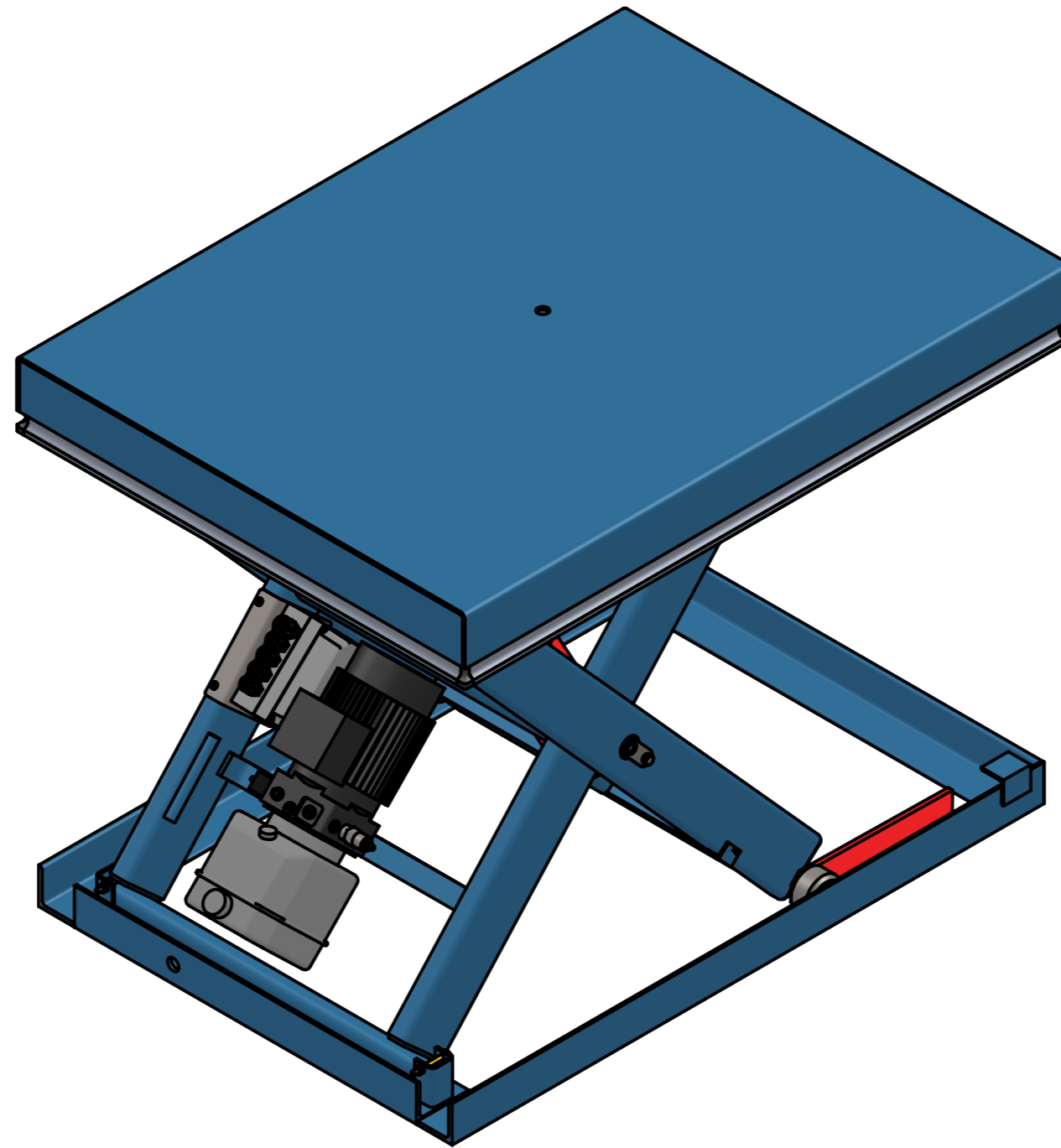


| | | |
|---|-------------|---|
| Capacity / Tragfähigkeit / Capacité (Full surface load / Flächenlast / Pleine charge de surface) | 2000 | [kg] |
| Max Lifting / Max Hub / Hauteur de Levage max | 800 | [mm] |
| Lifting Time / Hubzeit / Temps de course | 25 | [sek] |
| Required Power / Motorleistung / Puissance Moteur | 1,5 | [kW] |
| Power Supply / Stromversorgung / Tension d'alimentation | 3x400V 50Hz | |
| Lifting Category / Hubkategorie / Catégorie de Levage | 2 | |
| Class of Protection / Schutzklasse / Classe de protection | IP54 | |
| Color / Farbe / Couleur | RAL 5015 |  |


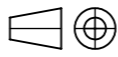
| | | | | | | | |
|---|-------|-------------------------------|-------|-------|------------|--|--|
|  | | Part name | | | Quantity: | | |
| | | HTP 20 - 800 1350x1000 | | | | | |
|  | | Drawing nr | | | Weight: | | |
| | | 0123.17 00-00 HTP-20-800 -K13 | | | 325kg | | |
| Dimension in | Sheet | Size | Scale | Index | Date | | |
| mm | 1 / 2 | A3 | 1:10 | MK | 2017-10-16 | | |
| <small>General tolerances for nominal dimension without specified tolerance: IT 13 The Information Contained In This Drawing Is The Sole Property Of Columbus McKinnon Corporation. Any Reproduction In Part Or As A Whole Without The Written Permission Of Columbus McKinnon Corporation Is Prohibited.</small> | | | | | | | |

Subject to change. | Änderungen vorbehalten. | Sous réserve de modifications.

HTP ERGONOMIZER



Subject to change. | Änderungen vorbehalten. | Sous réserve de modifications.

| | | | | | | | |
|---|--------------|-------------------------------|------|-------|-------|------------|--|
|  | | Part name | | | | Quantity: | |
| | | HTP 20 - 800 1350x1000 | | | | | |
| | | Drawing nr | | | | Weight: | |
| | | 0123.17 00-00 HTP-20-800 -K13 | | | | 325kg | |
|  | Dimension in | Sheet | Size | Scale | Index | Date | |
| | mm | 2 / 2 | A3 | 1:10 | MK | 2017-10-16 | |
| <small>General tolerances for nominal dimension without specified tolerance: IT 13 The Information Contained In This Drawing Is The Sole Property Of Columbus McKinnon Corporation. Any Reproduction In Part Or As A Whole Without The Written Permission Of Columbus McKinnon Corporation Is Prohibited.</small> | | | | | | | |